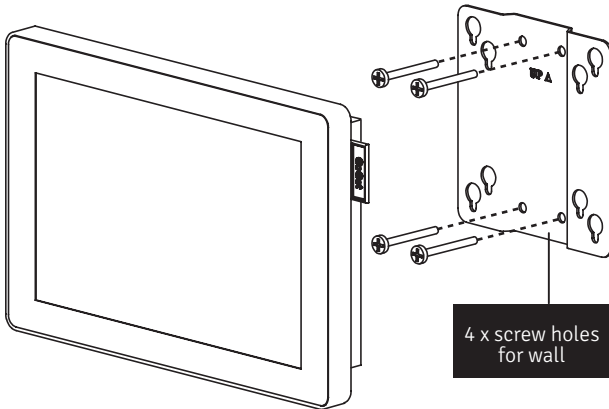


Quick Start Guide

Room Sync Plus

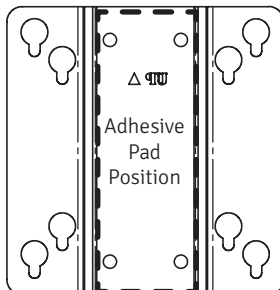
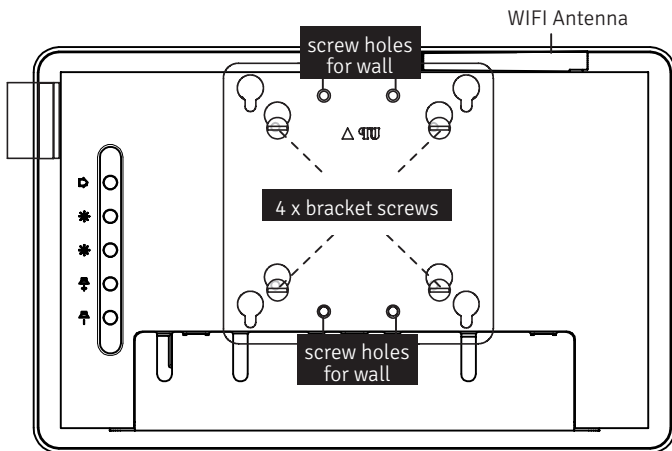
1 Description



The following components are included:

A	Display unit
B	Wall mount/bracket + bracket screws
C	Screws (wall) and plugs (wall)
D	AC-DC adapter 100-240 V (US/UK/EU switching adapter)
E	Adhesive pad, double-sided, for glass mounting. Cleaner.

3 Mounting instructions

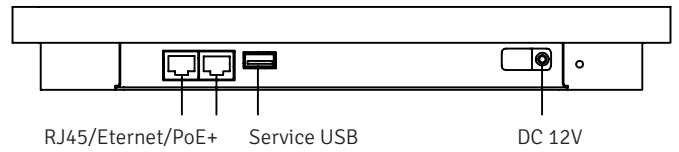


4 Troubleshooting

If you run into any problem with your product, please follow these instructions:

Problem	Action required	Comment
All problems related to system configuration (Exchange or Google Apps)	Please contact the system administrator. (IT-department within your organization, alternatively an IT consultant/IT professional)	This is quite common. However, since the hardware and software work properly, you need support from the system administrator
Problems related to Room Display software, eg registration issues, crashes etc.	Contact the seller. Please see our Support/Wiki/FAQ at gogetcorp.com or roomdisplaycenter.com. If that does not help, contact Goget for support.	See Goget's Terms & Conditions/EULA at gogetcorp.com
All problems related to physical hardware.	Contact the seller. Direct sales: Contact Goget at gogetcorp.com for further instructions. Do not attempt to disassemble the unit unless instructed specifically to do so, and by following exact instructions.	See Goget's Terms & Conditions at gogetcorp.com.

2 Setup - on/off & configuration



Power up the unit by connecting a PoE+ ethernet cable (CAT5 or CAT6). Alternatively you can use the supplied AC-DC adapter and plug in the DC 12V connector. If required, change the power socket of the switching adapter. (US/UK/EU)

IMPORTANT: Use the PoE+ (Power over Ethernet Plus) standard only (IEEE802.3at) by RJ45 (25.5W switch power output per port). Use only one power source at a time (i.e. never use PoE+ and AC-DC adapter at the same time)

During boot-up, the "GoGet" logo will appear on the screen. Thereafter Room Display will start automatically.

To turn off the device, unplug the PoE/ethernet cable or the AC-DC adapter.

Booting the device can take several minutes. Follow the on screen instructions and prompts.

Quick control buttons (the right side of the unit): Home, volume+/-, brightness +/-

Connectivity: Wifi 802.11a/b/g/n/ac or PoE+ IEEE802.3at (25.5W) or Wired Ethernet by RJ45.

! To get started with ROOM SYNC PLUS/Room Display, you need to register your display unit(s). You will need one license key per device.

How do I get my license key(s) and register unit(s)?

- 1) Follow the instructions and register for a user account at www.roomdisplaycenter.com
- 2) Redeem voucher(s) - When you order ROOM SYNC PLUS, you get a voucher with your license key(s) (from seller, eg electronically or as a license token)
 - A voucher can contain any number of license keys

Need support?

- 1) Contact the seller 2) www.gogetcorp.com -> FAQ or www.roomdisplaycenter.com.

! **To mount Room Sync Plus on the wall, follow these steps:** Remove/slide the wall bracket from the unit. Do not touch/remove the bracket screws, as they serve as gripping hooks for the bracket keyholes. If necessary, tighten/adjust the bracket screws slightly with a screwdriver.

-Wall installations: Place the bracket on the desired wall. The bracket should be horizontal (use a level) with the wording "UP" easily readable.

-Mark (and drill) 4 holes, use plugs if necessary and use the 4 wall screws to secure the bracket.

-For fitting on glass: Clean the glass and bracket surfaces carefully with the supplied surface cleaner sachet. Remove one cover of the adhesive pad and place it over the bracket, positioned as shown in the image - press firmly. Then remove the other pad cover, positioning it correctly on the glass wall and press firmly. The bracket should be horizontal (use a level) with the wording "UP" easily readable.

Place the display unit over the bracket in the required alignment, so that the heads of the bracket screws grip into the key holes of the bracket. Make sure that all 4 screws are aligned correctly, then gently press downwards so that the unit hooks into the key holes in all 4 positions.